

REV	REVISION RECORD	ECN	BY	APVD	DATE
A	INITIAL RELEASE PER EWR 980559	15995	CVD	JB	12-07-98
B	UPDATE PER EWR 106570	505811	RJB	RJB	7-10-09

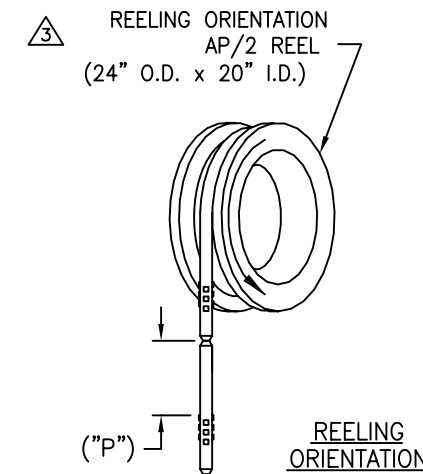
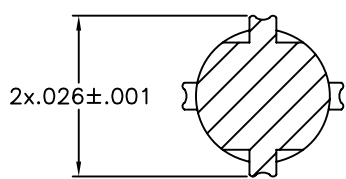
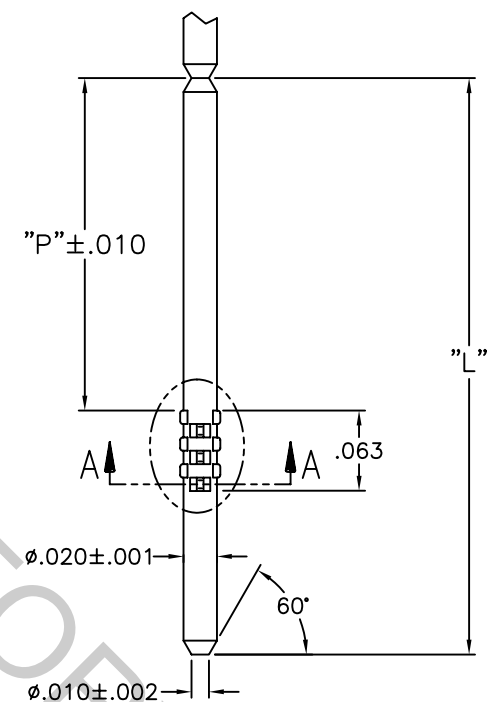
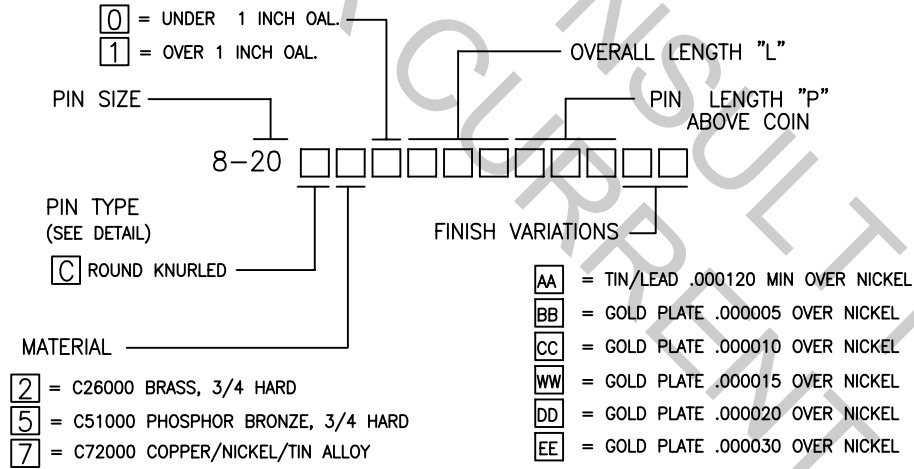
NOTE: UNLESS OTHERWISE SPECIFIED

1. INTERPRET DRAWING IN ACCORDANCE WITH ANSI Y14.5-1982.

2. ALL DIMENSIONS APPLY AFTER PLATING.

3. PART TO BE SUPPLIED ON A CONTINUOUS REEL.

PART NUMBER BREAKDOWN



CUSTOMER DRAWING

This drawing and the information set forth hereon are the property of Autossplice, Inc. and are to be held in trust and confidence. Publication, duplication, disclosure, or use for any purpose not expressly authorized in writing by Autossplice, Inc. is prohibited.

TOLERANCES UNLESS OTHERWISE SPECIFIED DIMS IN INCHES	DECIMAL: XX = ± .01 XXX = ± .005	ANGULAR: ± 3°
--	-------------------------------------	---------------

autossplice ®		AUTOSPlice INC. 10121 Barnes Canyon Road San Diego, California 92121 (619) 538-0077	
THIRD ANGLE PROJECTION	DRAWN BY C. DANG	DATE 12-07-98	DESIGNED BY BIANCA
TITLE: AUTOPIN/2 DETAIL PART DRAWING		DATE 12-08-98	
SIZE C	FROM NO. 0AE89	DRAWING NUMBER C8-20C	REVISION B
SCALE: NONE	CAD FILE NO. C8-20C	FILE B.DWG	SHEET 1 OF 1